

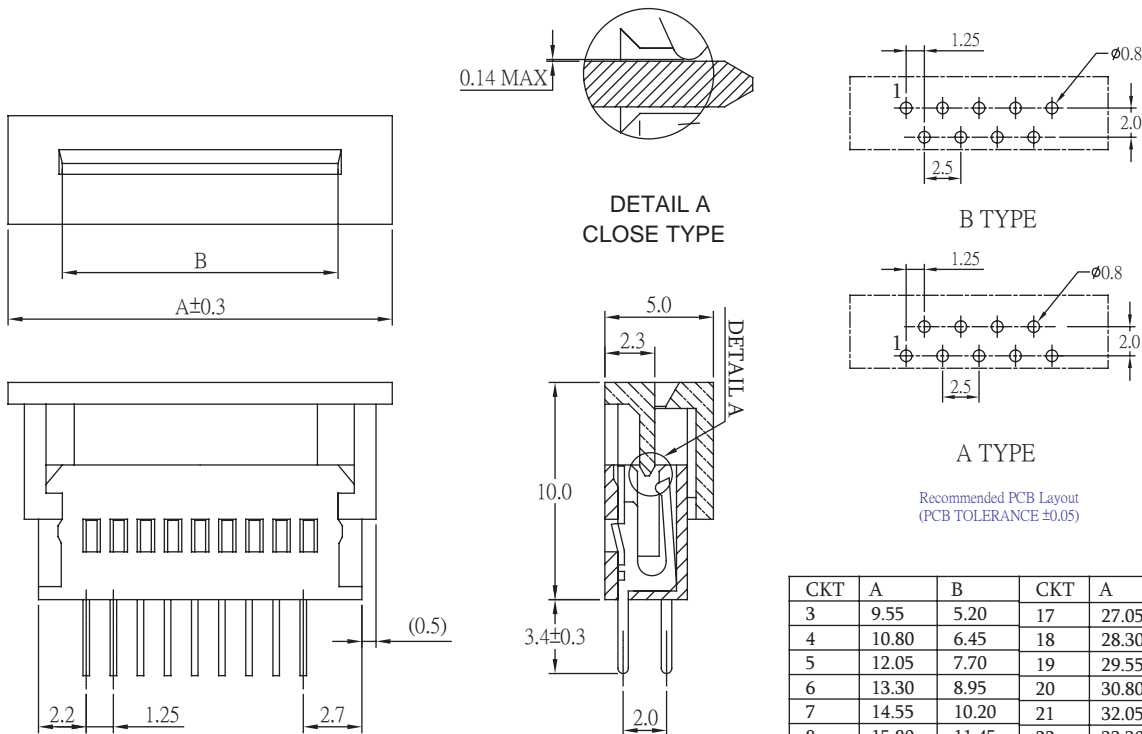
FPC/FFC 1.25mm ZIF DIP TYPE TOP ENTRY

SPECIFICATION

Current Rate:1 AMP
 Insulation Resistance:50MΩ Min
 Contact Resistance:20mΩ Max
 Dielectric voltage:250V AC for one minute
 Operation Temperature:-20°C to + 85°C

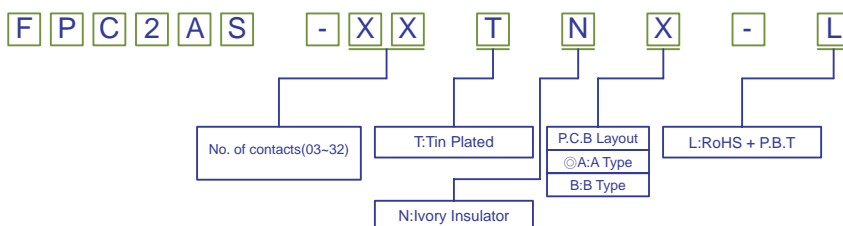
MATERIAL

Insulator:Polyester,UL 94V-0
 © Standard:P.B.T
 Contact Pin:Phospor Bronze
 Finish:Tin Plated



CKT	A	B	CKT	A	B
3	9.55	5.20	17	27.05	22.70
4	10.80	6.45	18	28.30	23.95
5	12.05	7.70	19	29.55	25.20
6	13.30	8.95	20	30.80	26.45
7	14.55	10.20	21	32.05	27.70
8	15.80	11.45	22	33.30	28.95
9	17.05	12.70	23	34.55	30.20
10	18.30	13.95	24	35.80	31.45
11	19.55	15.20	25	37.05	32.70
12	20.80	16.45	26	38.30	33.95
13	22.05	17.70	27	39.55	35.20
14	23.30	18.95	28	40.80	36.45
15	24.55	20.20	29	42.05	37.70
16	25.80	21.45	30	43.30	38.95
			31	44.55	40.20
			32	45.80	41.45

ORDER INFORMATION



©:Standard Recommend