

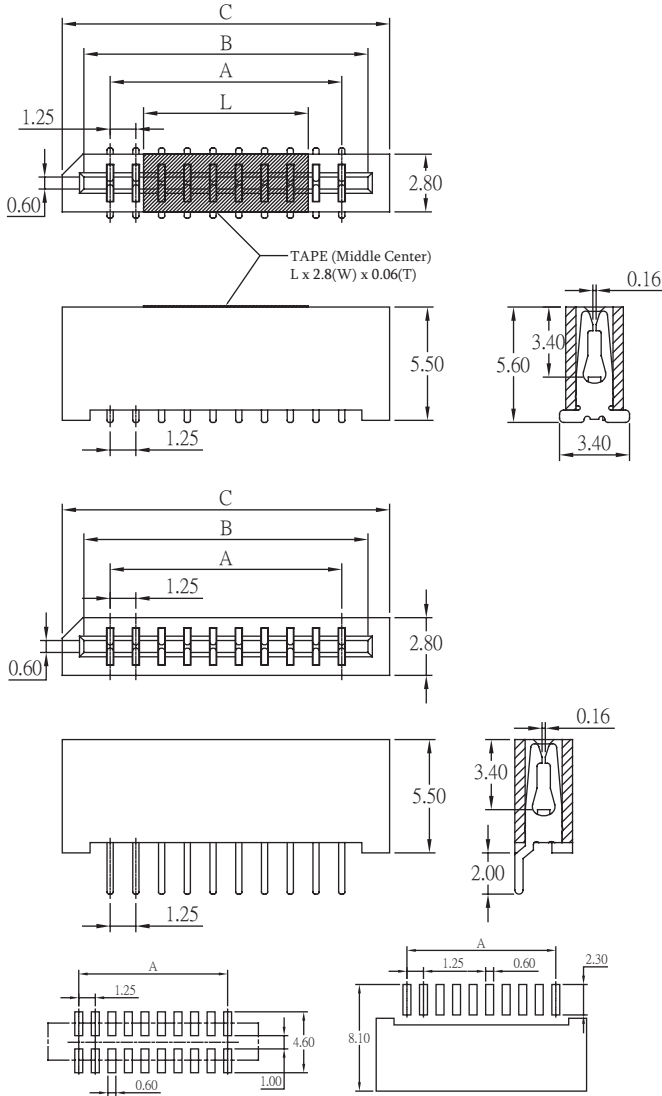
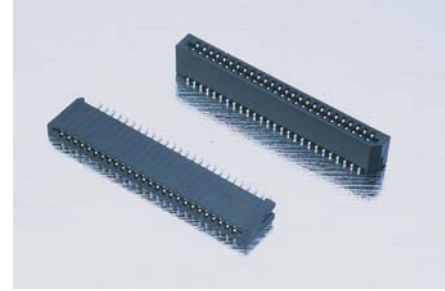
## FPC/FFC 1.25mm NON ZIF SMT SIDE & TOP ENTRY

### SPECIFICATION

Current Rate:1 AMP  
 Insulation Resistance:50MΩ Min  
 Contact Resistance:20mΩ Max  
 Dielectric voltage:250V AC for one minute  
 Operation Temperature:-55°C to + 85°C

### MATERIAL

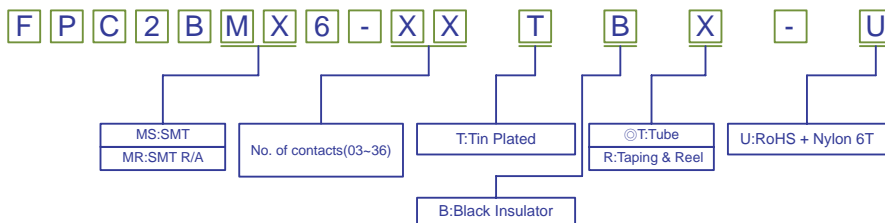
Insulator:Polyester,UL 94V-0  
 © Standard:Nylon 6T  
 Contact Pin:Phospor Bronze  
 Finish:Tin Plated



Recommended PCB Layout  
 (PCB TOLERANCE ±0.05)

Conact	A	B	C	L
03	2.50	5.05	7.15	4.00
04	3.75	6.30	8.40	
05	5.00	7.55	9.65	
06	6.25	8.80	10.90	8.00
07	7.50	10.05	12.15	
08	8.75	11.30	13.40	
09	10.00	12.55	14.65	
10	11.25	13.80	15.90	
11	12.50	15.05	17.15	
12	13.75	16.30	18.40	12.00
13	15.00	17.55	19.65	
14	16.25	18.80	20.90	
15	17.50	20.05	22.15	
16	18.75	21.30	23.40	
17	20.00	22.55	24.65	
18	21.25	23.80	25.90	
19	22.50	25.05	27.15	
20	23.75	26.30	28.40	
21	25.00	27.55	29.65	
22	26.25	28.80	30.90	
23	27.50	30.05	32.15	
24	28.75	31.30	33.40	
25	30.00	32.55	34.65	
26	31.25	33.80	35.90	
27	32.50	35.05	37.15	
28	33.75	36.30	38.40	
29	35.00	37.55	39.65	
30	36.25	38.80	40.90	
31	37.50	40.05	42.15	
32	38.75	41.30	43.40	
33	40.00	42.55	44.65	
34	41.25	43.80	45.90	
35	42.50	45.05	47.15	
36	43.75	46.30	48.40	

## ORDER INFORMATION



FPC/FFC CONN.



AMTEK CONNECTOR MANUFACTURE