

MACHINE PIN SOCKET

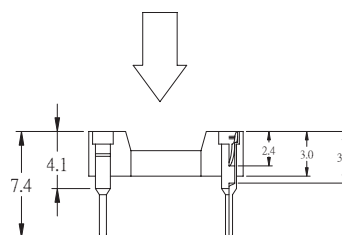
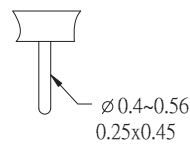
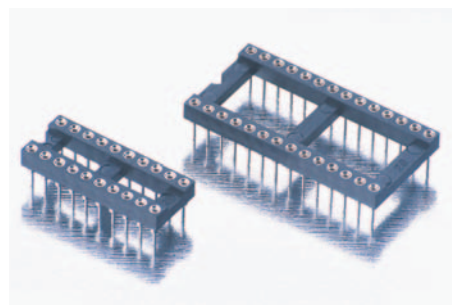
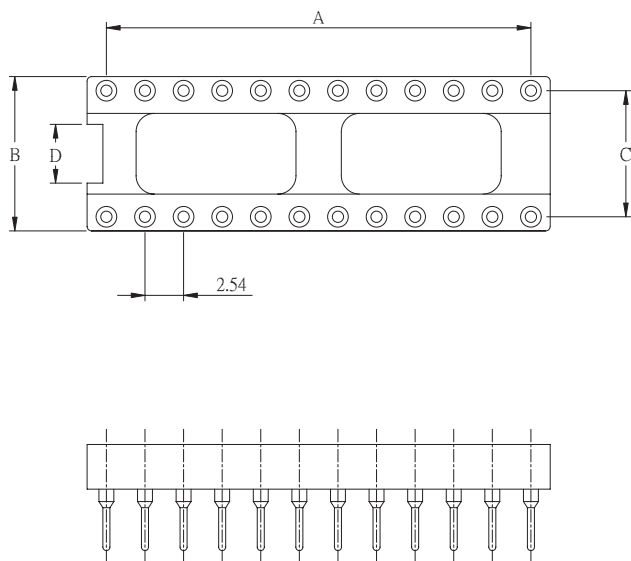
MACHINE PIN SOCKET STRIP TYPE 2.54mm

SPECIFICATION

Current Rate: 1 AMP
 Insulation Resistance: 1000M Ω Min.
 Contact Resistance: 15m Ω Max.
 Dielectric voltage: 500V AC for one minute
 Operation Temperature: -55°C to +125°C

MATERIAL

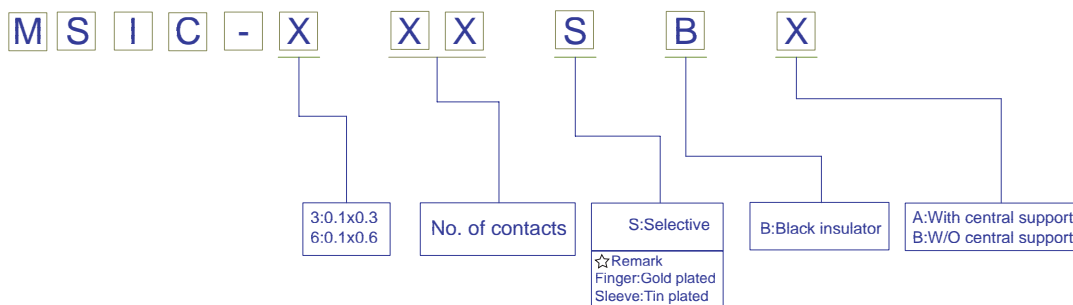
Insulator: PBT UL94V-0
 Contact Pin: BeCu Copper



A, B, C, D Tolerance is ± 0.2

No. of	6	8	10	14	16	18	20	24N	28N	24W	28W	32	36	40	42	48
A	5.08	7.62	10.16	15.24	17.78	20.32	22.86	27.97	33.02	27.97	33.02	38.10	43.18	48.26	50.80	58.42
B	10.12											17.74				
C	7.62											15.24				
D	4.14											11.76				
	MSIC-3XX											MSIC-6XX				

ORDER INFORMATION



©: Standard Recommend